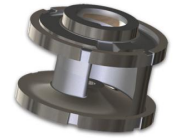
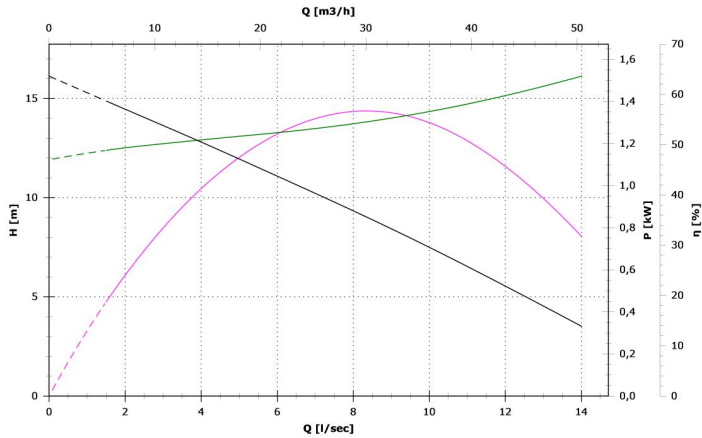


## SMF 200/2/G50H A1CT/50



Single-channel closed impeller

Rated power output (P2) 1.5 kW

Free passage 50 mm

## Technical data

Number of poles	2
Rated power output (P2)	1.5 kW
Input power (P1)	2.1 kW
Nominal absorbed current (In)	3.7 A
rated power factor (cos phi)	0.83
Nominal power frequency (f)	50 Hz
Rated nominal voltage(Vn)	400 V
N° phases	3
IPMotor	68

ATEX thermal class	T4
insulation class	F

## Use limits

Maximum operating temperature	40 °C
Maximum immersion depth	20 m
PH of treated fluid	6 to 14 pH
max starts per hour	30

## Test limits

Density of treated fluid	1 Kg/dm <sup>3</sup>
Viscosity of treated fluid	1 mm <sup>2</sup> /s

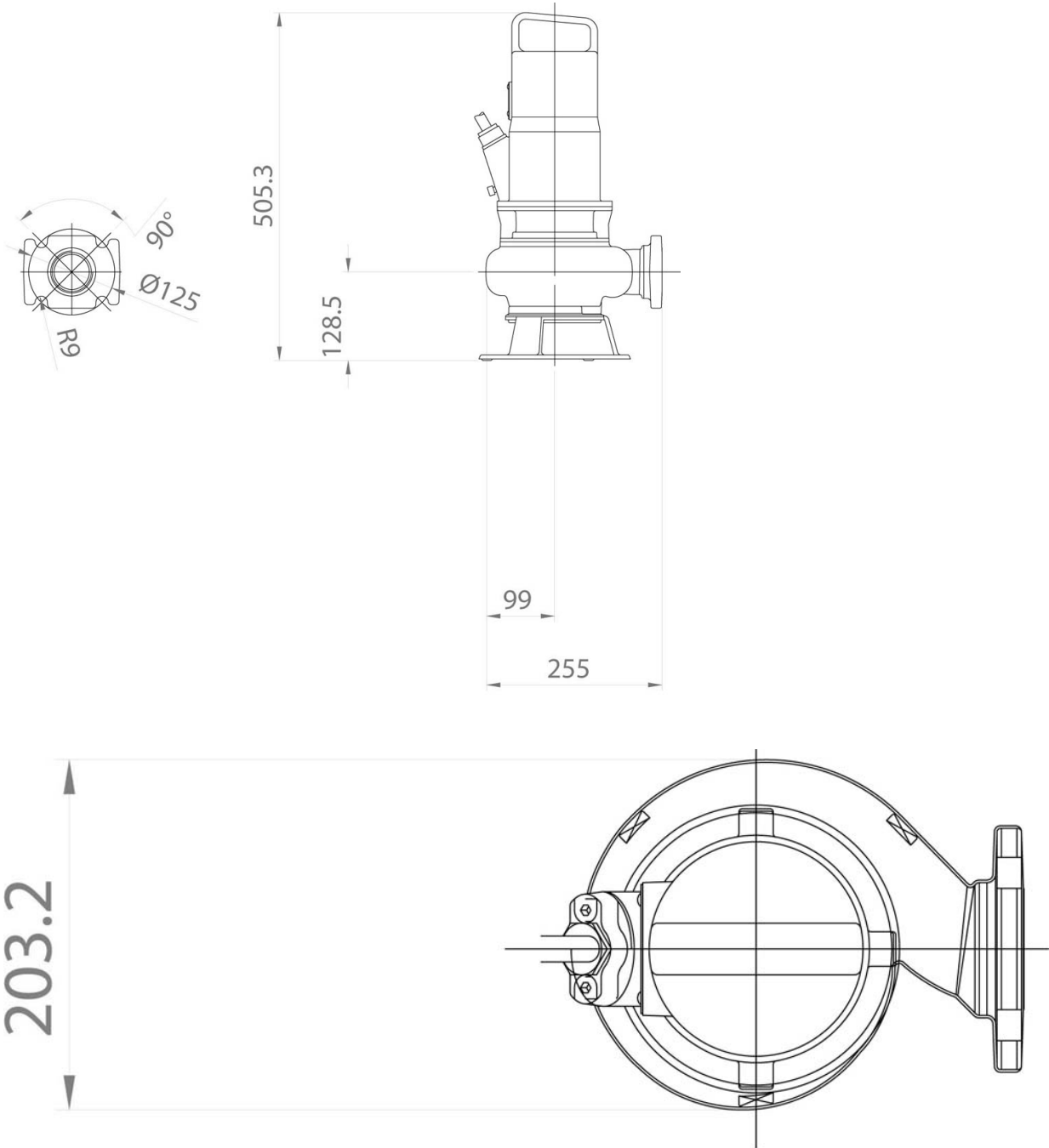
## Constructive characteristics

Outlet	G2" DN50 PN10
Outlet orientation	H (horizontal)
Type of starting	D
Weight	36 kg
Standard cable type	N.A.
EX cable type	NSSHOU-J 4G1.5+2x0.75
Standard paint type	Bicomponent epoxy paint
Maximum acoustic pressure	70 dB
Set of standard mechanical seals	Two Silicon carbide mechanical seals (SiC)
Probe for water presence	

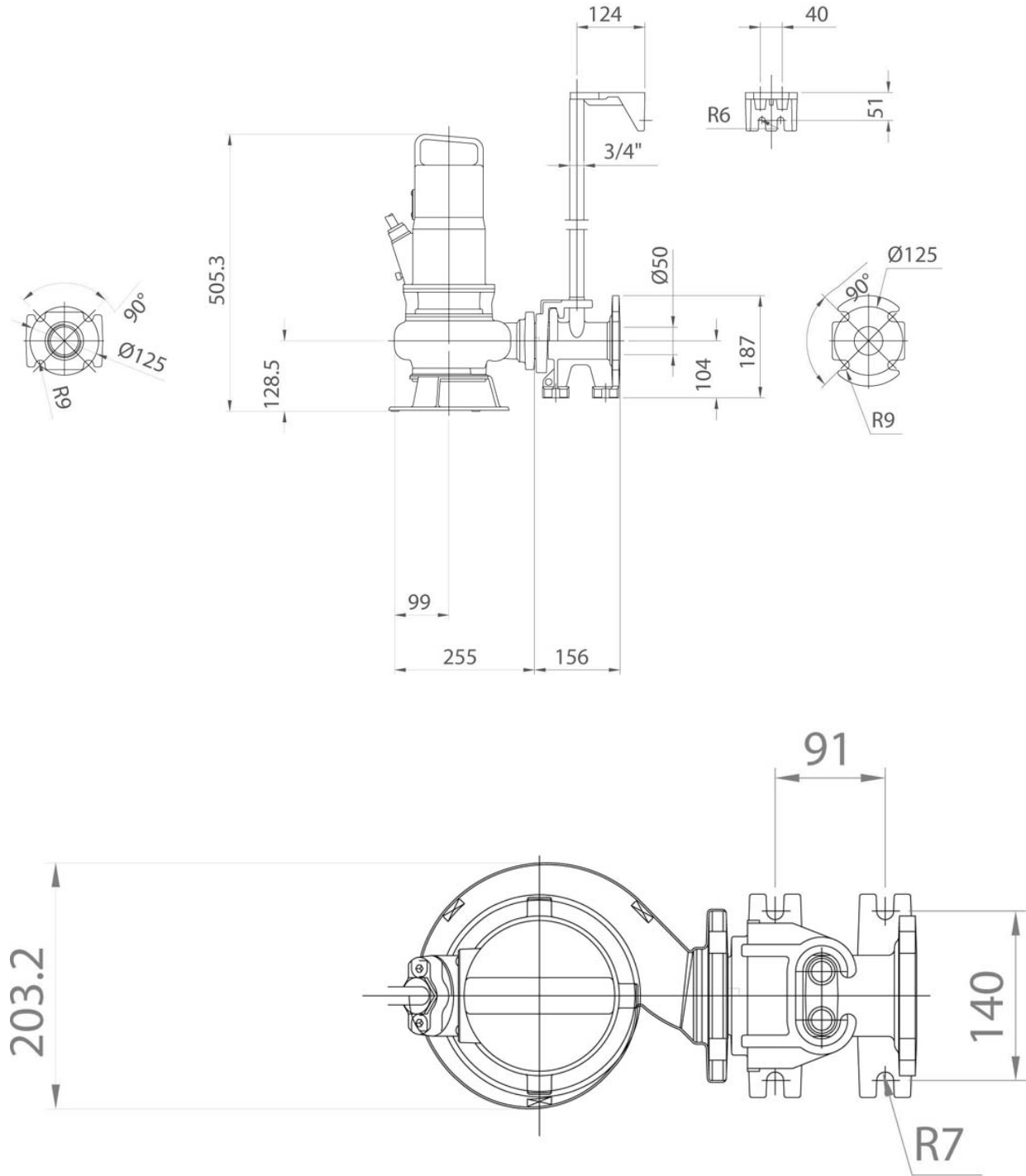
## Materials

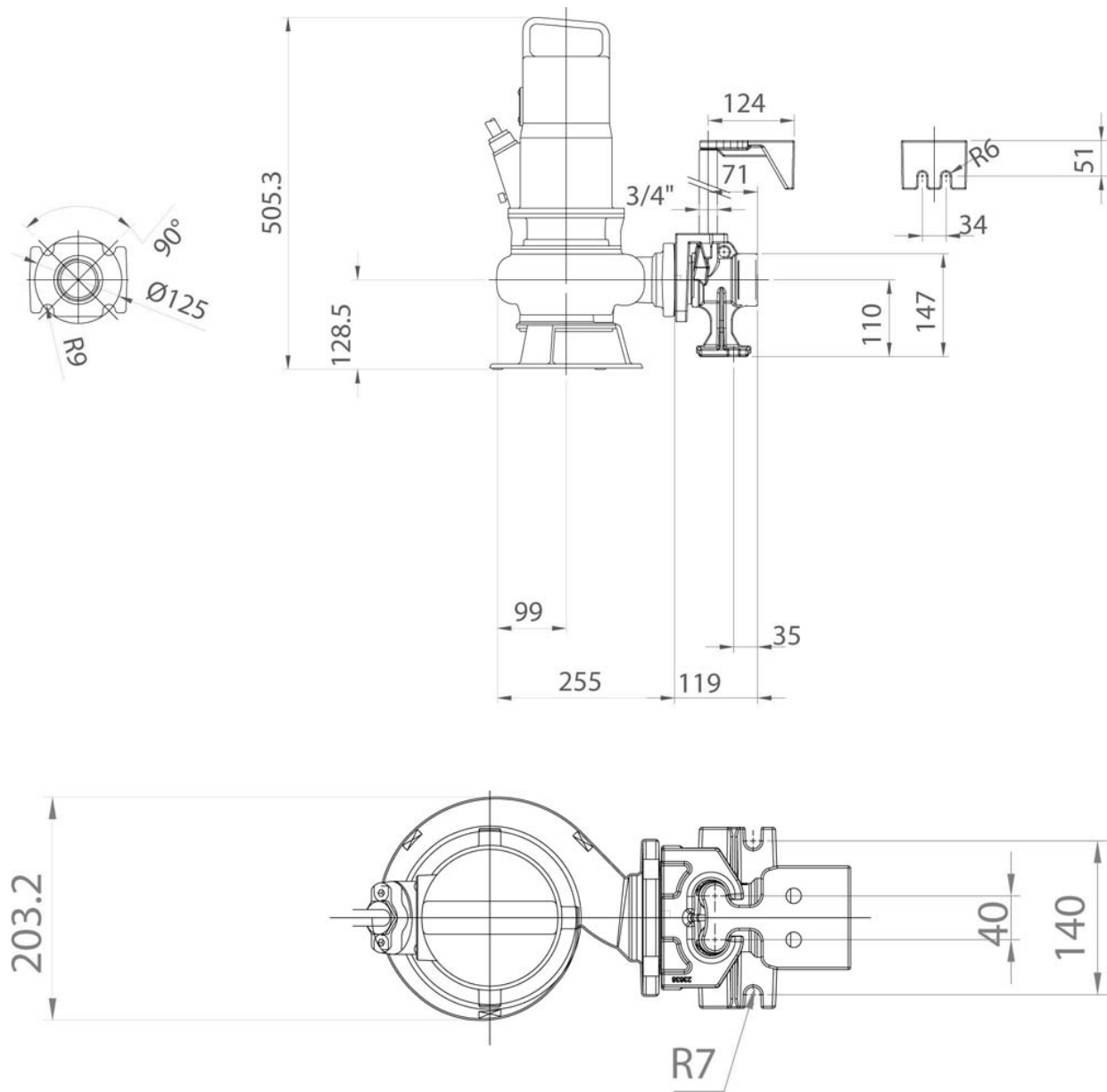
Case	Grey Cast Iron - EN-GJL 250 (02)
Shaft	Stainless Steel - AISI 420 (23)
Cooling jacket	Not applicable (00)
Standard gasket	Rubber - NBR (77)
EX gasket	Rubber - VITON (78)
Nuts and bolts	Stainless Steel - Class A2-70 (42)
Hydraulic	Grey Cast Iron - EN-GJL 250 (02)
Impeller	Grey Cast Iron - EN-GJL 250 (02)
Cutting disk	Not applicable (00)
Cutter	Not applicable (00)
Grid	Not applicable (00)

## Pump



## Bottom coupling devices with horizontal outlet





## Bottom coupling devices with vertical outlet

